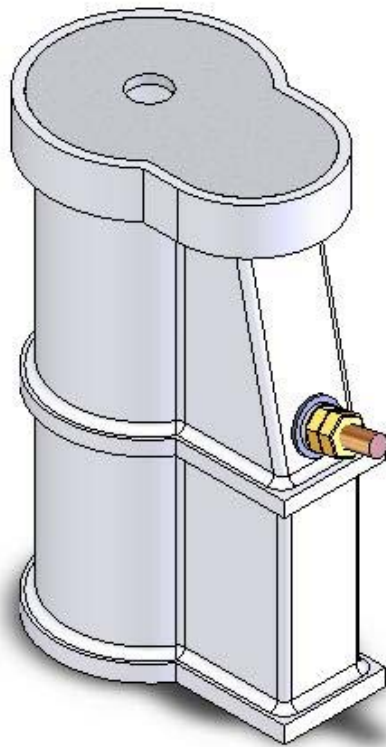


S.R. Smith^{LLC}



AS-100P ANCHOR INSTALLATION INSTRUCTIONS



**CORPORATE HEADQUARTERS
WESTERN SALES AND MANUFACTURING PLANT
P.O. Box 400 • 1017 SW Berg Parkway
Canby, Oregon 97013
(503) 266-2231 • (503) 266-4334
www.srsmith.com**

Introduction

The AS-100P 1.90" ID x 6" deep universal anchor system can be used for any of S.R. Smith's products that require a 1.9" diameter anchor. A 2" spacer is included for products that only require a 4" deep anchor socket.

Part List

Item No.	Description
1	Anchor Body
2	Anchor Cap
3	2" Anchor Spacer

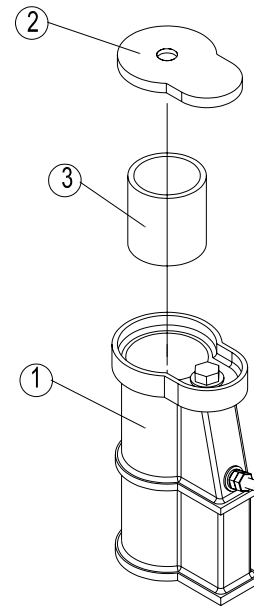


Figure 1 AS-100P Anchor

New Construction

Locate the anchor in the correct position on the deck according to the installation instructions for the product that will be used in the anchor sockets. Cover the hole in the bottom of the anchor with masking tape. Affix the anchor in place so that it will not move while the concrete is being poured. Follow the manufacturer's instructions for mixing the concrete and fill in the area around the anchor completely. Make sure the top edge of the anchor is flush with the concrete surface. Check that the anchor is level/plumb and allow the cement/epoxy to cure before installing the product post in the anchor.

Retrofit Instructions

Tools Needed (not included)

- Concrete core drill with 5" dia. cutter
- Hydraulic cement or anchoring epoxy
- Pry bar
- Sledge hammer
- Phillips head screwdriver
- Masking tape
- Bonding wire (if required)

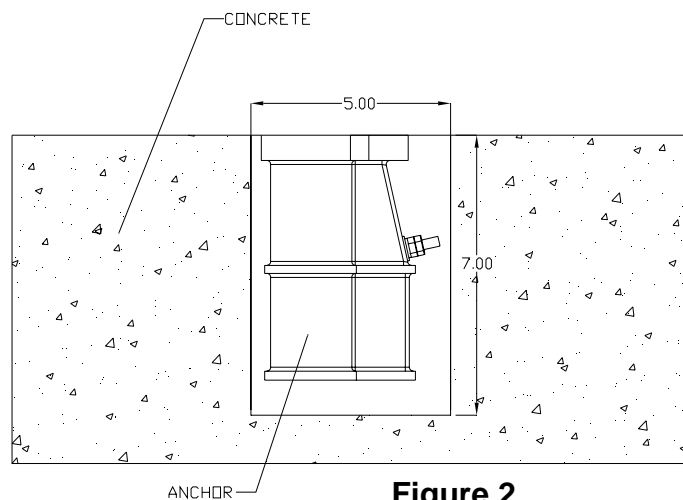


Figure 2

Installation Step 1

Determine the location for the anchor in the concrete. Mark and drill a minimum 5" diameter hole at least 6-1/2" deep. Use a pry bar or sledge hammer to break the core free from the base of the hole. Clean any debris from inside the hole, check the depth, and make sure the anchor fits. See Figure 2

If the concrete thickness is less than the required depth of the hole, proceed to Step 2. Otherwise, go to Step 3.

Installation Step 2

If the depth of the concrete is less than the depth of the hole required for installation, remove base/fill material below the concrete (7" total depth recommended) sufficient to fit the anchor. Make the diameter of the hole below the concrete slightly larger than the concrete core hole. See Figure 3.

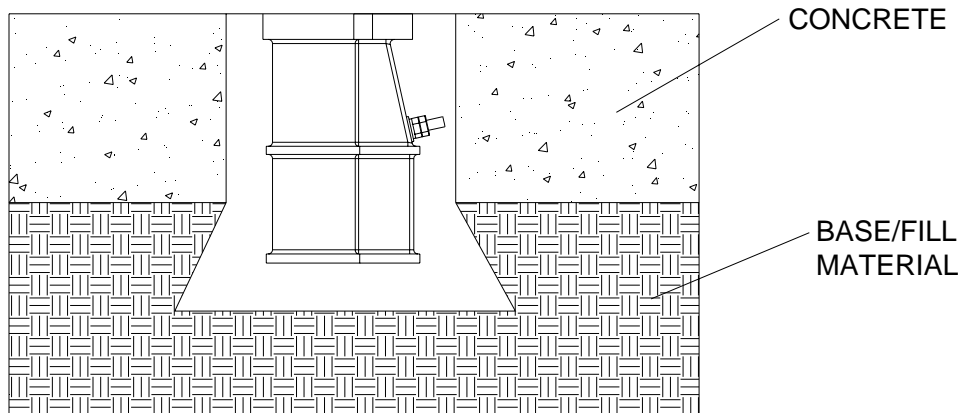


Figure 3

Installation Step 3

Electrically bond the anchor as required by the National Electrical Code or greater local code by attaching a bonding wire from the bonding grid to the bonding screw on the anchor body.

Installation Step 4

Cover the hole in the bottom of the anchor with masking tape. Follow the manufacturer's instructions for mixing the hydraulic cement or anchoring epoxy and fill in the area around the anchor completely. Make sure the top edge of the anchor is flush with the concrete surface. Check that the anchor is level/plumb and allow the cement/epoxy to cure before installing the product post in the anchor.