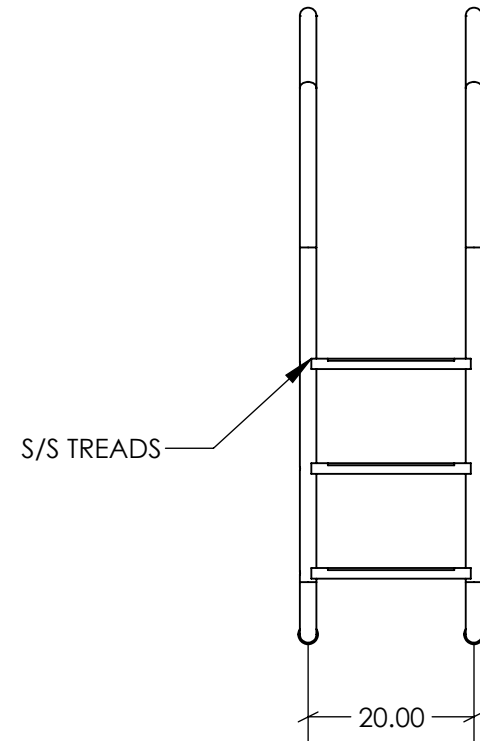
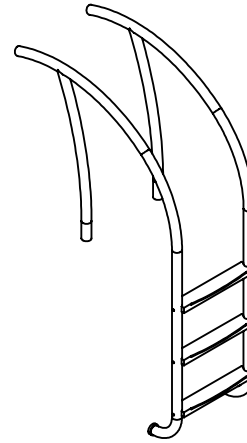
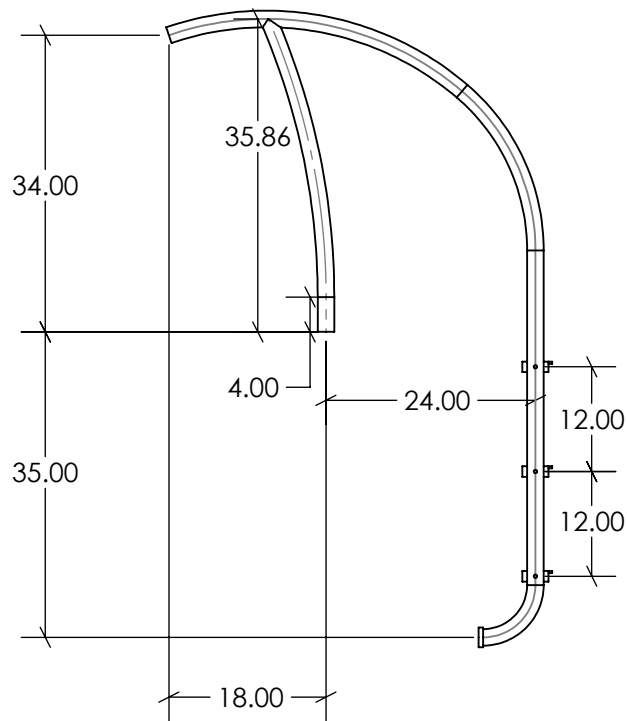


* LEG LENGTHS INCLUDE 4" TO GO INTO ANCHORS.



TUBING LENGTH: 141.04"

UNLESS OTHERWISE SPECIFIED
DIMENSIONS ARE IN INCHES,
TOLERANCES ARE:

WELDED LEG LOCATION.....+/- .125
ANGLES.....+/- .5 DEGREES
ELEVATIONS.....+/- .125
OVERALL LENGTH
UNDER 18'.....+/- .188
OVER 18'.....+/- .375

DESCRIPTION:

ARTISAN 3-STEP LADDER

MATERIAL:
1.90 x .065 (304) S/S TUBING

PART NO.: ART-1003 REV. A

DRAWN BY: DTJ DATE: 1/10/13

REVISED BY: DATE:



P.O. BOX 400 - 1017 S.W. BERG PARKWAY
CANBY, OREGON 97013
PHONE (503) 266-2231

SIZE: A SCALE: 1:24 SHEET 1 OF 1

RAIL #

JOB #

QUANTITY:

WEIGHT:

1

40 LBS.