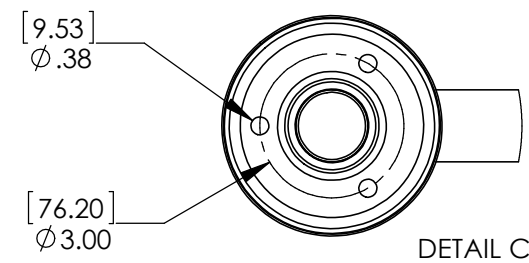
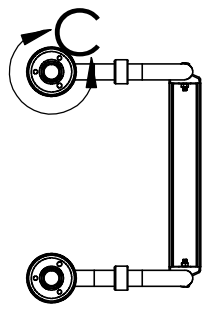
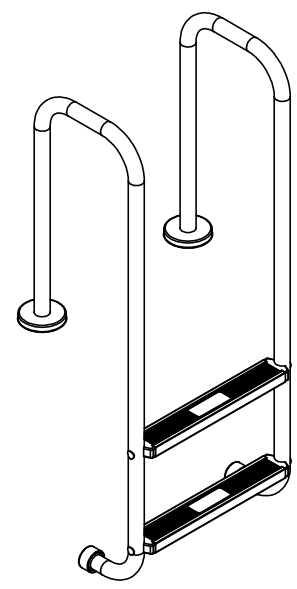
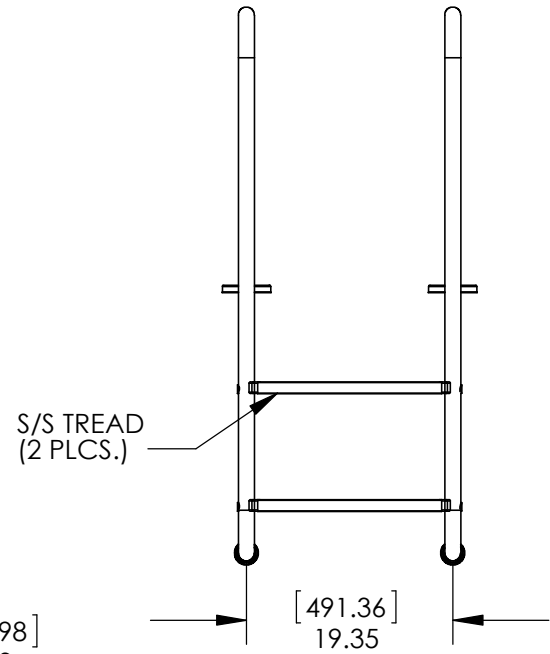
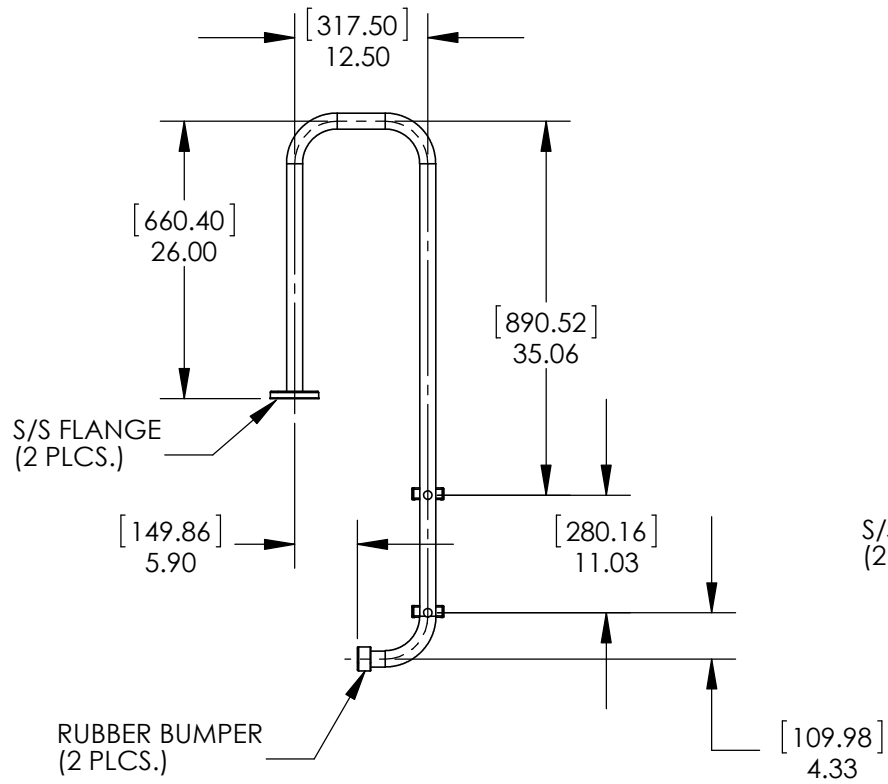


REVISIONS			
REV.	DESCRIPTION	DATE	ECN

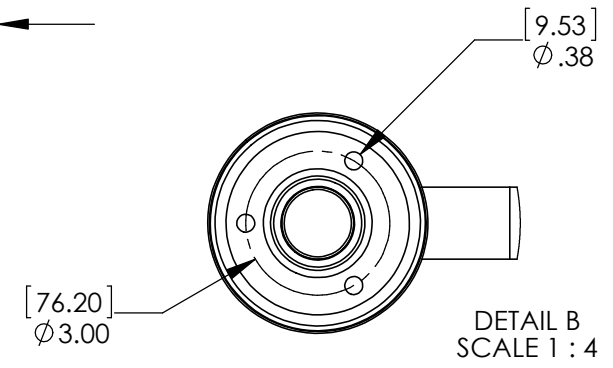
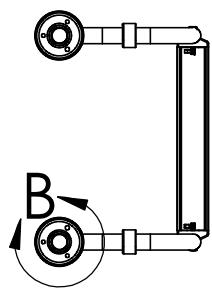
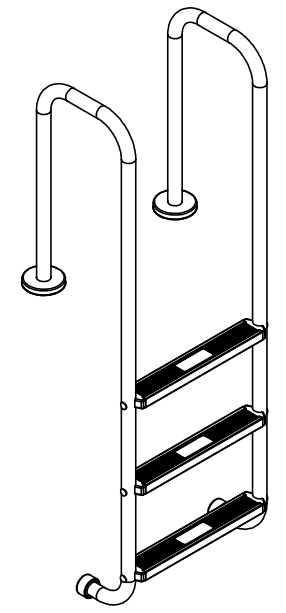
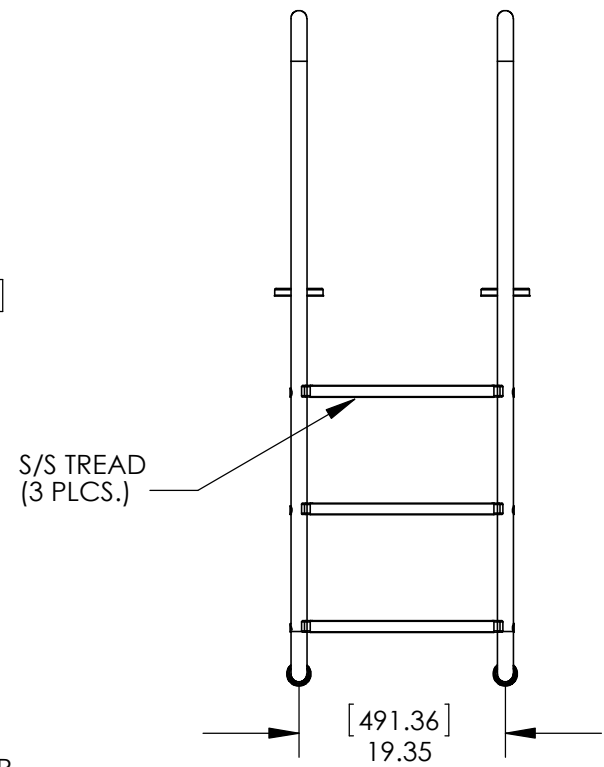
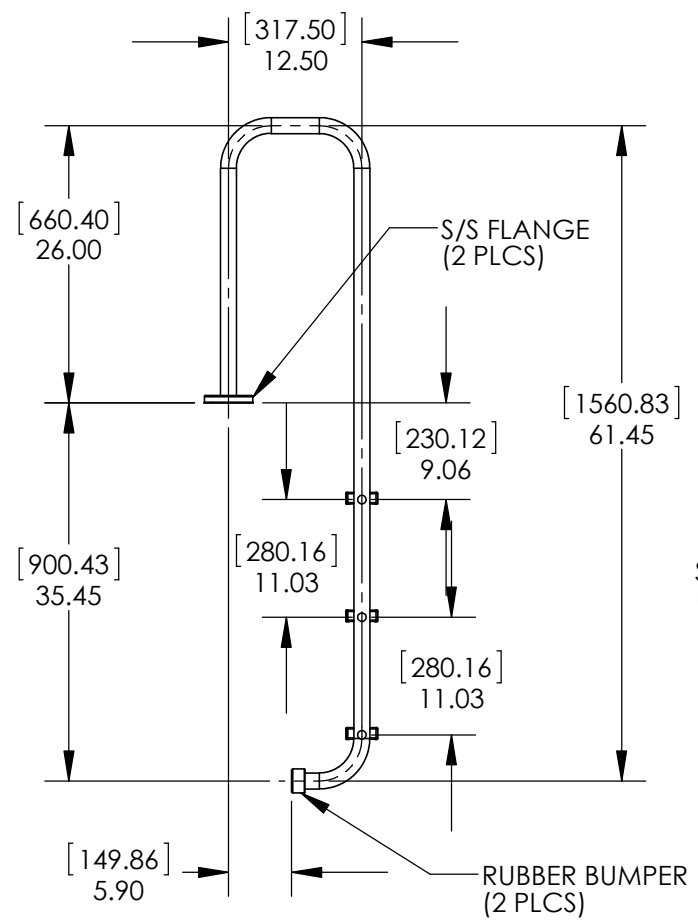


DETAIL C
SCALE 1 : 4

UNLESS OTHERWISE SPECIFIED DIMENSIONS ARE IN INCHES, TOLERANCES ARE: FRACTIONAL: ±1/16 ANGULAR: ±1° TWO PLACE DECIMAL: ±.06 THREE PLACE DECIMAL: ... ±.031		DESCRIPTION: NARROW TWO-STEP LADDER, FLANGED, 38MMX1.2MM	
		MATERIAL: 1.50 x .049 (316L) S/S TUBING	
		PART NO.: SL-UF-2	
		REV. A	
DRAWN BY: DTJ	DATE: 4/1/14		SIZE: A SCALE: 1:18 SHEET 1 OF 4
CHECKED BY:	DATE:		


 P.O. BOX 400 - 1017 S.W. BERG PARKWAY
 CANBY, OREGON 97013
 PHONE (503) 266-2231

REVISIONS			
REV.	DESCRIPTION	DATE	ECN



UNLESS OTHERWISE SPECIFIED DIMENSIONS ARE IN INCHES, TOLERANCES ARE:
 FRACTIONAL: ±1/16
 ANGULAR: ±1°
 TWO PLACE DECIMAL: ±.06
 THREE PLACE DECIMAL: ... ±.031

DESCRIPTION: NARROW THREE-STEP LADDER, FLANGED, 38MMX1.2MM	
MATERIAL: 1.50 x .049 (31 6L) S/S TUBING	
PART NO.: SL-UF-3	REV. A
DRAWN BY: DTJ	DATE: 4/1/14
CHECKED BY:	DATE:

SR Smith™
 P.O. BOX 400 - 1017 S.W. BERG PARKWAY
 CANBY, OREGON 97013
 PHONE (503) 266-2231

SIZE: A	SCALE: 1:18	SHEET 1 OF 4
------------	----------------	-----------------