

UNLESS OTHERWISE SPECIFIED
DIMENSIONS ARE IN INCHES,
TOLERANCES ARE:
FRACTIONAL: $\pm 1/16$
ANGULAR: $\pm 1^\circ$
TWO PLACE DECIMAL: $\pm .06$
THREE PLACE DECIMAL: ... $\pm .031$

DESCRIPTION:
DECK MOUNTED TWO-STEP LADDER,
38MMX1.2MM

MATERIAL: 1.50 x .065 (316L) S/S TUBING

PART NO.: SL-PF-2 REV. A

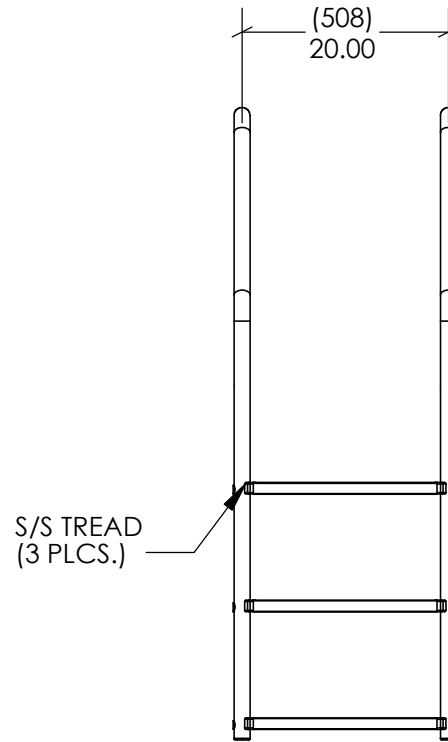
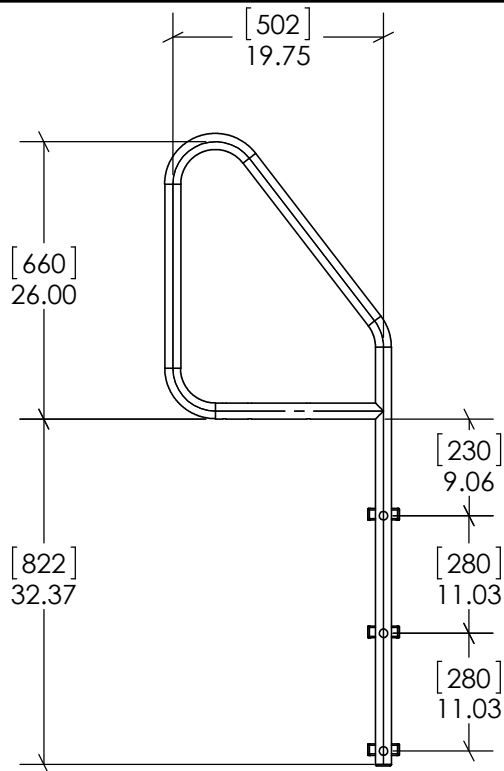
DRAWN BY: DTJ DATE: 4/1/14

CHECKED BY: DATE:

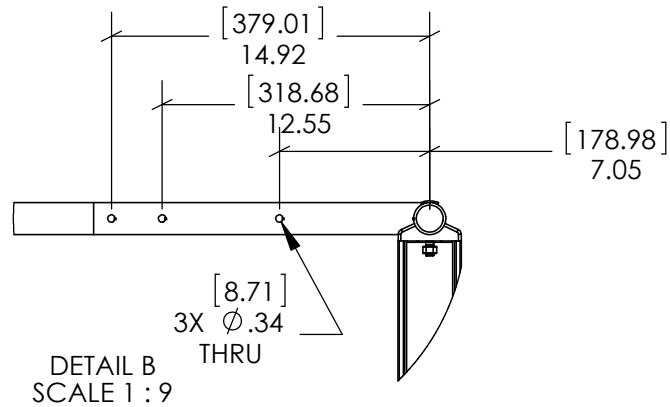
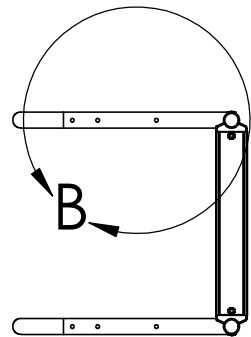
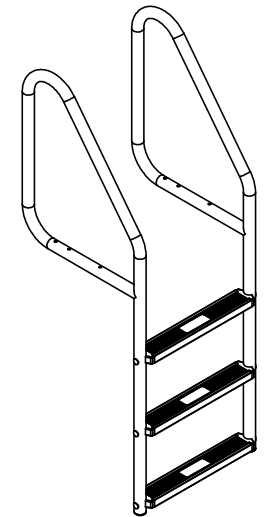


P.O. BOX 400 - 1017 S.W. BERG PARKWAY
CANBY, OREGON 97013
PHONE (503) 266-2231

SIZE: A SCALE: 1:18 SHEET 1 OF 3



REVISIONS			
REV.	DESCRIPTION	DATE	ECN



UNLESS OTHERWISE SPECIFIED
DIMENSIONS ARE IN INCHES,
TOLERANCES ARE:
FRACTIONAL: ±1/16
ANGULAR: ±1°
TWO PLACE DECIMAL: ±.06
THREE PLACE DECIMAL: ... ±.031

DESCRIPTION:		DECK MOUNTED THREE-STEP LADDER, 38MMX1.2MM	
MATERIAL:		1.50 x .065 (316L) S/S TUBING	
PART NO.:		SL-PF-3	REV. A
DRAWN BY:	DTJ	DATE:	4/1/14
CHECKED BY:		DATE:	



P.O. BOX 400 - 1017 S.W. BERG PARKWAY
CANBY, OREGON 97013
PHONE (503) 266-2231