



- LIFTS
- MOBILE CHAIRS
- AQUATIC STAIRS
- PARTS & ACCESSORIES

ACCESSIBILITY EQUIPMENT

POOL ACCESS FIXED LIFTS

- INDEPENDENT USE WITH REMOTE
- DDA COMPLIANT
- CORROSION FREE MATERIALS



aXs2 Fixed Pool Lift

A low profile pool lift that is an ideal access solution for community, aged-care and rehabilitation swimming pools. The aXs2 lift installs into your pool deck via a locking anchor.

- 360° rotation for transfer safety and flexibility
- Compact design requires minimal deck space
- Integrated armrests
- Sturdy and generous rotomolded seat
- LiftOperator® Intelligent Controller with 24V battery
- Full range of operation from remote control and control box
- Powder-coated stainless steel and aluminum construction
- Includes: battery, charger, battery console cover, water-resistant hand control, stainless steel anchor socket with cover, footrest and seat belt assembly, and armrests
- Lifting capacity: 136kg

AVAILABLE PARTS & ACCESSORIES

- aXs2 Cover
- Locking Anchor & Cap
- Stability Vest
- Spine Board Attachment
- Battery

COLOUR



Gray Mist

- INDEPENDENT USE WITH REMOTE
- DDA COMPLIANT
- CORROSION FREE MATERIALS



Includes trolley for easy removal and storage

Splash! Fixed Pool Lift

Designed for swimming facilities seeking to provide user-friendly access to their swimming pools. The Splash! Lift installs into your pool deck via anchor, and can be easily removed with the included caddy. Also available in an Extended Reach version for use on pools with gutter configurations requiring a longer reach.

- 344° rotation helps ensure safe transfer
- Easy to move by one person
- LiftOperator® Intelligent Controller with 24V battery
- Powder-coated stainless steel and aluminum construction
- Includes: battery, charger, battery console cover, water-resistant hand control, stainless steel anchor socket with cover, footrest and seat belt assembly, caddy and armrests
- Lifting capacity: 181.5kg*

*Lifting capacity of the Extended Reach model is 136kg. Refer to the owner's manual at www.srsmith.com/au for more details.

AVAILABLE PARTS & ACCESSORIES

- Splash! Cover
- Locking Anchor & Cap
- Stability Vest
- Spine Board Attachment
- Battery

COLOUR



Gray Mist

Pool Access Fixed Lifts

Model/Item No.	Description	SHIPPING (AXS2 ships in 2 boxes)			
		Weight	Length	Width	Height
310-0000EU	aXs2	46kg 16kg	140cm 61cm	48cm 61cm	36cm 69cm
300-0000EU	Splash!	127kg	102cm	122cm	152cm
370-0000EU	Splash! Extended Reach	152kg	102cm	122cm	198cm

POOL ACCESS FIXED LIFTS



Includes space-saving foldable seat
Shown with optional wheel-away kit

multiLift™ Pool Lift with Folding Seat

A flanged pool lift, with left or right side mounting and folding seat.

- Integrated arm rests
- Retrofit anchor jig is standard
- Folding seat assembly
- LiftOperator® Intelligent Controller
- Powder-coated stainless steel and aluminum construction
- Lifting capacity: 159kg

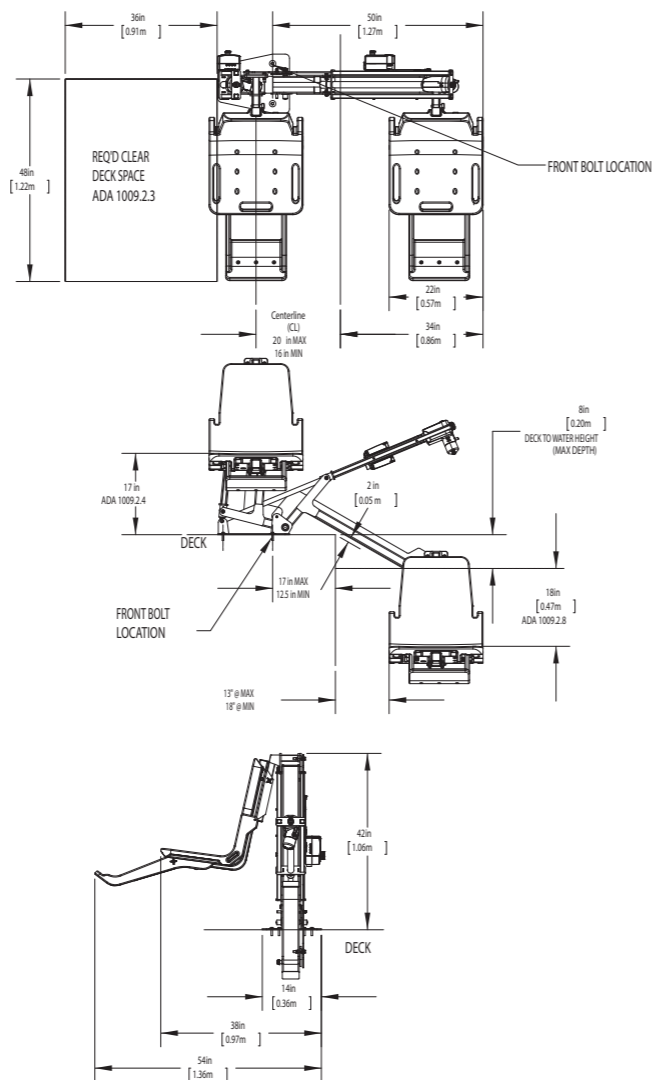
AVAILABLE PARTS & ACCESSORIES

- Battery
- Folding Seat Cover
- Folding Seat
- Stability Vest
- Seat Pad
- Seat Saver Cover
- Armrest Assembly, gray, left & right

COLOUR



Gray Mist



Pool Access Fixed Lifts

Model/Item No.	Description	SHIPPING (AXS2 ships in 2 boxes)			
		Weight	Length	Width	Height
575-0100	Multilift (with folding seat)	104kg	127cm	61cm	72cm
500-5500	Multilift Wheel-A-Way Kit	104kg	127cm	61cm	72cm

POOL ACCESS MOBILE LIFTS



PAL2 Mobile Pool Lift

A free-standing pool lift that is sleek and modern design with an attractive matte finish. Standard features include the LiftOperator Intelligent Control (mounted on the mast), a 24-volt rechargeable battery, waterproof hand control, armrests, footrest and seatbelt assembly.

- 240° rotation helps ensure safe transfer
- Easy to move by one person
- LiftOperator® Intelligent Controller* conveniently located on the mast - includes 24 Volt rechargeable battery
- Powder-coated stainless steel and aluminum construction
- Includes: battery, charger, battery console cover, water-resistant hand control, footrest, seatbelt assembly, and armrests
- Lifting capacity: 136kg

AVAILABLE PARTS & ACCESSORIES

- PAL Series Cover
- Stability Vest
- Spine Board Attachment
- Battery

COLOUR



Gray Mist

Pool Access Mobile Lifts

Model/Item No.	Description	SHIPPING			
		Weight	Length	Width	Height
202-0000EU	PAL2	547kg	102cm	126cm	145cm
250-0000EU	PAL Hi/Lo	547kg	102cm	122cm	152cm



PAL® HI-LO Mobile Pool Lift

The popular PAL Hi-Lo has become the industry standard for providing access to facilities that have both in-ground pools and raised spas. It is a portable, free-standing pool lift with a 240° rotation that aids in a safe transfer area. Extended vertical range.

- 240° rotation helps ensure safe transfer
- Easy to move by one person
- LiftOperator® Intelligent Controller* conveniently located on the mast - includes 24 Volt rechargeable battery
- Powder-coated stainless steel and aluminum construction
- Includes: battery, charger, battery console cover, water-resistant hand control, footrest, seatbelt assembly, and armrests
- Lifting capacity: 136kg

AVAILABLE PARTS & ACCESSORIES

- PAL Series Cover
- Stability Vest
- Spine Board Attachment
- Battery

COLOUR



Gray Mist

POOL ACCESS PLATFORM LIFT

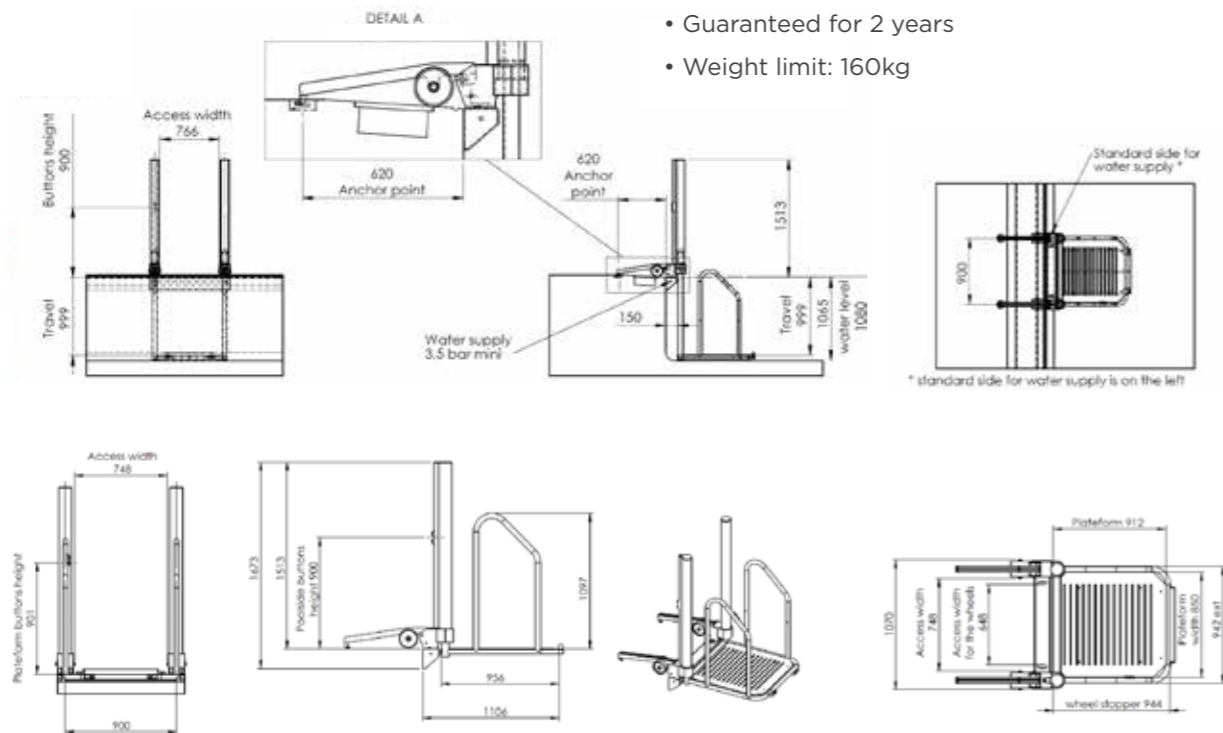


Mobile Hydraulic Platform Lift

A hydraulic driven Mobile Platform Lift that allows users to descend into the pool from an aquatic chair or from a standing position. Designed with in-deck mounting points, electro-polished 316L stainless steel and high-density polyethylene construction. Using an in-built dual pressure control panel the user can independently descend into the pool.

Typical lift design for pools with overflow gutters

- Hydraulic drive connected to water supply (Minimum pressure 3 bars)
- Simple retro-fit installation
- Simple user controls (from deck or on platform)
- Includes protective cover
- Foldable for storage
- Custom designed to suit any pool deck profile
- Typical design to accommodate overflow gutter (shown below)
- Patented and CE certified
- Guaranteed for 2 years
- Weight limit: 160kg



Pool Access Platform Lifts

Model/Item No.	Description
LM-10	LM-10 Platform Lift

POOL ACCESS AQUATIC STAIRS & CHAIR



MAC (Mobile Aquatic Chair)

Essential for facilities utilising a ramp, zero-depth entry or movable floor. The MAC is built specifically for use in aquatic environments with a powder coated stainless steel frame to resist corrosion and a swing away arm for easy transfer.

- Front and rear stabiliser wheels eliminate the tendency of a chair to pitch forward or back while going down the ramp
- Unibody frame construction for increased durability
- Arm rests flip up for easy transfer on and off the chair
- Powder-coated stainless steel frame resists corrosion
- Rigid roto-molded plastic seat aids in user transfer by providing a stable platform that can be used for transfer support
- Weight capacity: 136kg

Mobile Aquatic Stairs

Aquatic stairs are easily rolled in to position along the pool deck to assist individuals with limited mobility with pool entry.

- Provides independent access for all users with limited mobility
- Anchors to pool deck with 2 deck sockets (included)
- Fully mobile and removeable for storage
- Corrosion free composite materials
- 3 sizes available
- Load rating: 200kg

Pool Access Aquatic Stairs & Chair

Model/Item No.	Description	SHIPPING			
		Weight	Length	Width	Height
MAS-105	Mobile Aquatic Stairs 1000mm				
MAS-106	Mobile Aquatic Stairs 1200mm				
MAS-107	Mobile Aquatic Stairs 1500mm				
AC0000	MAC (Mobile Aquatic Chair)	27kg	109cm	64cm	56cm

POOL ACCESS ATTACHMENTS



Pool Sling Lift Attachment

Strong, mesh sling seat assembly attaches to both the PAL2 and Splash! pool lift and is an optional accessory that can be used instead of the rotomolded seat.



Stability Strap

The stability strap was designed to facilitate the transfer of individuals with limited or no independent upper body or trunk stability. The strap attaches the user to the chair, strapping them in for support. Compatible with all models of S.R.Smith pool lifts manufactured after June 2016.



Spine Board Attachment

The Spine Board Attachment works with any standard spine board (not included). Simply remove the chair assembly by pulling the attachment pin and replace that assembly with the Spine Board Attachment. One person can easily extract an injured person from a pool, keeping the injured person fully supported during the procedure.

Spineboard attachment shown on PAL lift



Pool Access Attachments

Model/Item No.	Description	SHIPPING			
		Weight	Length	Width	Height
550-2000	Pool Sling Lift	31kg	220cm	100cm	15cm
900-6000	Stability Strap				
500-1000	Spine Board Attachment				

ACCESSIBILITY EQUIPMENT PARTS & ACCESSORIES



PAL & Splash! Lift Cover

On the PAL2, the cover protects the seat and actuator arm. On the Splash! lift, the cover protects the seat, actuator arm, and base.



Splash Caddy

Facilitates handling, transporting and storing a Splash! pool lift. Made from powder coated steel for surface protection. Caddies simplify insertion and removal of the connector shaft into the pool deck.



Batteries & Chargers

All pool lifts are powered by a 24 volt, rechargeable battery. The battery should be left on the charger when not in use.



Sign "Lift Available"

This 23cm x 30cm metal sign can be posted at your facility to let guests know about your pool lift.

Accessibility Equipment Accessories

Model/Item No.	Description
920-5000	Pool Lift Cover
300-6200L	Locking Square Deck Anchor w/ Cap
400-0000	Splash Caddy (Assem in Box)
1001495	Lift Operator Replacement Battery
1001530	Lift Operator Charger (must be purchased with Adaptor Kit)
1001535	Lift Operator Adaptor Kit (must be purchased with Charger)
1001600	Lift Operator Hand Control
1001550EU	Lift Operator Upgrade Kit
100-2000	Linak Replacement Battery
100-3030	Linak Charger
100-5000A	Actuator Assembly (LA34)
400-7000	Lift Operator Control Box
900-5000	Sign "Lift Available"