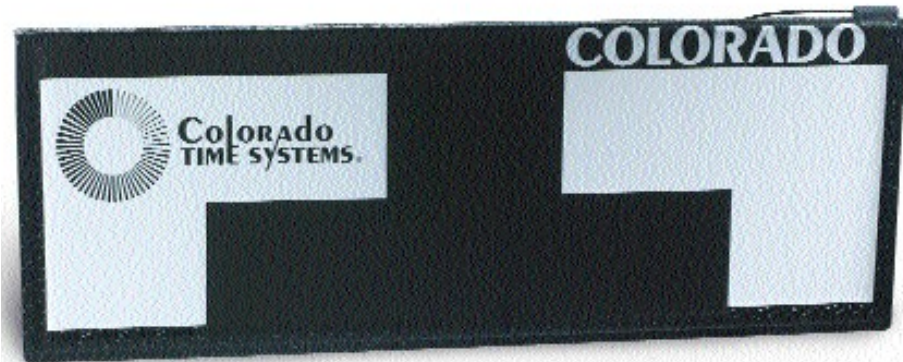


Touchpad

Standard surface



- **Tough, Durable and Gentle**

Why do our touchpads show up at more swim meets than any other in the world? Their all-plastic construction is tough and durable, yet their textured, non-skid surface is gentle on swimmers' feet. The solid quarter inch plastic backbone, molded one-piece connectors and non-corrosive finish provide long-lasting reliability.

- **Easy to Install, Stays in Place**

Set-up is easy, thanks to our universal mounting system customized for your pool. They hold your pads in place without hardware or holes (in most pools) and prevent unwanted vertical and lateral movement. Best of all, you don't need any tools.

- **Sensitive to the Lightest Touch**

Dependable, internally sealed switches record even the lightest swimmers' touch on the fully active face of all CTS pads, and also along the top edge of gutter-mounted pads. You get an accurate finish every time with no "dead spots."

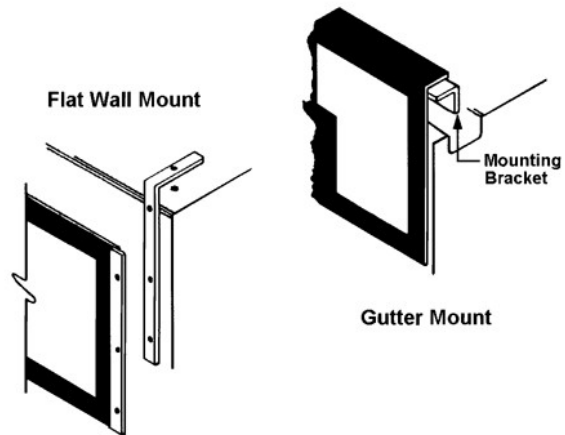
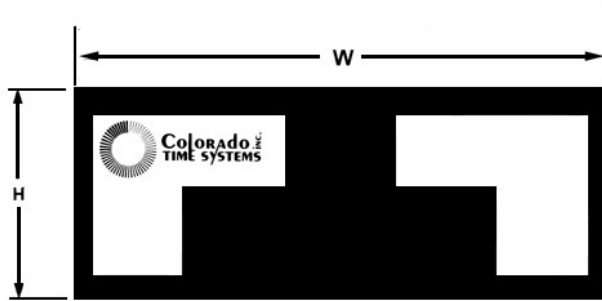
- **A Perfect Size for Every Lane**

At Colorado Time Systems, we will help you select the perfect touchpad for your facility. Choose from standard sizes or custom widths, and flat wall or gutter mounts.

A caddy that holds up to ten gutter hung touchpads is available; please see separate data sheet or contact your CTS sales person for more information.



Standard Touchpad Specifications



General Internal full face switch. Top edge switch on gutter mount touchpads. All plastic construction. Includes a 10 foot cable with molded connector. Less than 5V DC on deck power required (electronically isolated at the timer).

TP-78F 81 inch wide flat wall mount touchpad for gutterless pools with lanes 84 to 96 inches wide.
 Width: 81 inches (205 cm)
 Height: 24 inches (61 cm)
 Depth: .3 inches (.76 cm)
 Weight: 40 lbs. (18.1 kg)

TP-60 60 inch wide gutter mount touchpad. Recommended for lanes 66 to 84 inches wide.
 Width: 60 inches (152 cm)
 Height: 22 inches (56 cm)
 Depth: .3 inches (.76 cm)
 Weight: 28 lbs (12.7 kg)

TP-FINA 240 cm wide touchpad. Available in gutter (TP-FINA) and flat wall (TP-FINA-F) models. Recommended for use in F.I.N.A. sanctioned pools.
 Width: 94.5 inches (240 cm)
 Height: 35.5 inches (90 cm)
 Depth: .3 inches (.76 cm)
 Weight: 66 lbs (30 Kg)

TP-60F 63 inch wide flat wall mount touchpad. Includes flat wall mount. Recommended for gutterless pools with lanes 66 to 84 inches wide.
 Width: 63 inches (160 cm)
 Height: 24 inches (61 cm)
 Depth: .3 inches (.76cm)
 Weight: 33 lbs (15 Kg)

TP-XX Custom width and depth touchpads available in widths up to 96 inches. Recommended for use with non-standard lane widths. Availability of custom width touchpads subject to change without notice.

TP-78 78 inch wide gutter mount touchpad. Recommended for lanes 84 to 96 inches wide.
 Width: 78 inches (198 cm)
 Height: 22 inches (56 cm)
 Depth: .3 inches (.76 cm)
 Weight: 35 lbs (15.9 kg)

TPM-D Touchpad test meter. Meter shows touchpad open and closed circuit status. Meter also tests pushbuttons, data cable, deck plates and scoreboard.

Specifications are subject to change without notice.

Revised 1/05