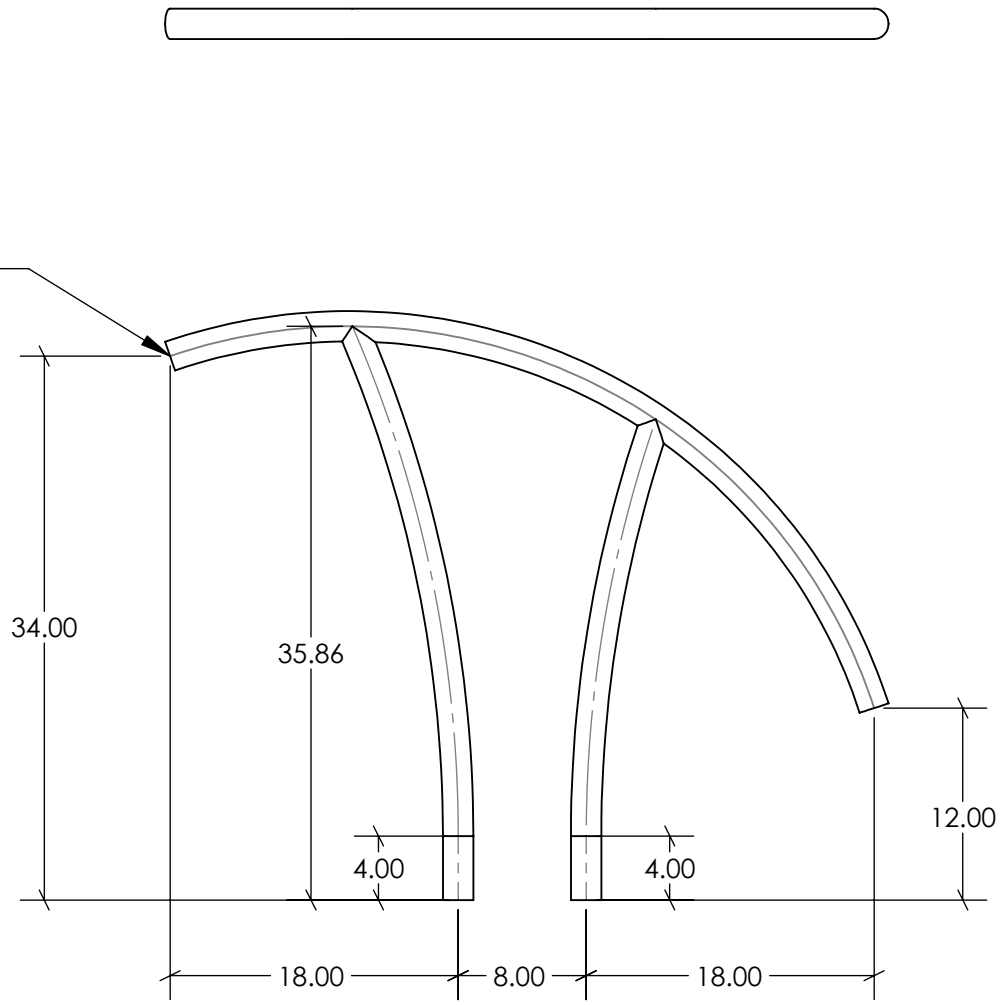


S/S ENDCAP
(BOTH ENDS)



TUBING LENGTH: 122.06"

UNLESS OTHERWISE SPECIFIED
DIMENSIONS ARE IN INCHES,
TOLERANCES ARE:

WELDED LEG LOCATION.....+/- .125
ANGLES.....+/- .5 DEGREES
ELEVATIONS.....+/- .125
OVERALL LENGTH
UNDER 18'.....+/- .188
OVER 18'.....+/- .375

DESCRIPTION:
ARTISAN DECK RAIL

MATERIAL:
1.90 x .065 (304) S/S TUBING

PART NO.: ART-1001 **REV.** A

DRAWN BY: DTJ **DATE:** 1/10/13

CHECKED BY: **DATE:**



P.O. BOX 400 - 1017 S.W. BERG PARKWAY
CANBY, OREGON 97013
PHONE (503) 266-2231

RAIL #	JOB #
QUANTITY: 1 SINGLE	WEIGHT: 15.0 LBS.

SIZE: A **SCALE:** 1:24 **SHEET 1 OF 1**